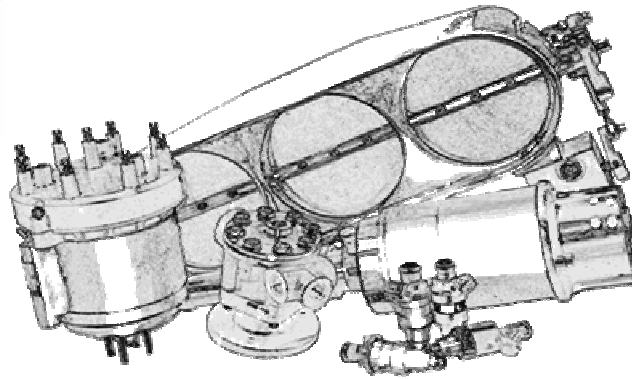


Spud Miller
 Philomath, OR
 541-990-2485



Pump Flow Data

John Q. Customer
 November 18th, 2006
 Enderle 80A-1

Actual measured output:

2.70 GPM @ 1800 RPM @ 50 PSI
 6.12 GPM @ 4000 RPM @ 100 PSI

Pump Flow with Fluid SG of: .792 (Methanol)

Pump RPM	Flow	Pressure
4000	6.00	125.00
3750	5.71	109.86
3500	5.30	95.70
3250	4.85	82.52
3000	4.59	70.31
2750	4.22	59.08
2500	3.87	48.83
2250	3.51	39.55
2000	3.13	31.25
1750	2.72	23.93
1500	2.38	17.58

Inspection:

Hardly any wear. Rear bearing replaced, front and rear o-ring replaced. Rear shaft seal ok.

